



100 N Micro 3-Point Bend Fixture

Catalog Number 2810-410

Features

- Precision construction
- 1 mm (0.04 in), fixed, span
- 100 N (22 lbf, 10 kgf) capacity
- Temperature range -75 °C to +300 °C (-103 °F to +572 °F)
- Standard fittings to Instron® testing machines including the 5548 and 5848 MicroTester™'s

Description

The micro bend fixture is designed for 3-point flexure testing of miniature components and specimens. The fixture has a fixed 1 mm (0.04 in) span.

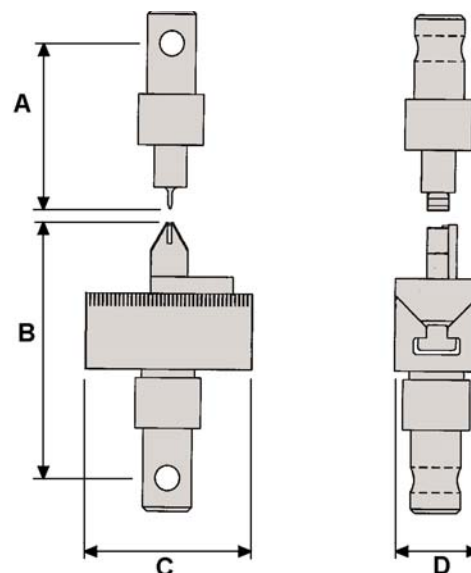
Principle of Operation

In use the specimen is supported on two lower anvils and the load is applied by a single upper anvil in the center of the specimen.

Both the upper and lower parts of the bend fixture use standard 6 mm (0.24 in) clevis pin (Type 0m) attachments.

Application Range

- Bend testing of silicon dies
- Bend testing of very small samples of materials
- Bend testing of small components



▲ Micro 3-point bend fixture front and side view

Specifications

Catalog Number	2820-410
Capacity	100 N (20 lbf, 10 kgf)
Span	1 mm (0.04 in) fixed
Maximum Specimen Width	5 mm (0.2 in)
MECHANICAL CONNECTION	
Upper Fitting	6 mm clevis pin (Type 0m)
Lower Fitting	6 mm clevis pin (Type 0m)
Temperature Range	-75 °C to +300 °C (-103 °F to +572 °F)
Anvil Radius (Upper and Lower)	0.25 mm (0.01 in)
Upper Effective Height (A)	39 mm (1.5 in)
Lower Effective Height (B)	58 mm (2.3 in)
Lower Width (C)	40 mm (1.6 in)
Lower Depth (D)	20 mm (0.8 in)
Weight	250 g (9 oz)